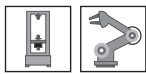
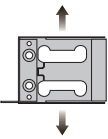


Belt Buckle



Capacities

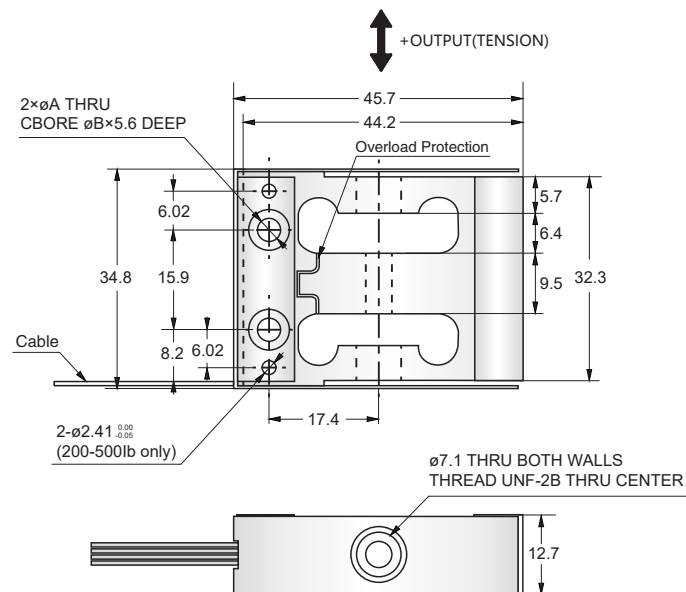
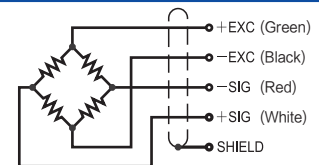
2.2lb, 5lb, 10lb, 25lb, 50lb, 100lb, 200lb, 500lb

Features

- Belt buckle load cell
- Easy to install
- Suitable for robotics and force measurements
- Aluminum construction (2.2lb~100lb)
- 17-4PH(200lb~500lb)

Schematic

Green: + input
 Black: - input
 White: + output
 Red: - output



Capacities		THREAD	A	B
2.2lb-200lb	mm	#10-32	3.6	6.4
500lb	mm	1/4-28	5.3	5.6

Specification

Rated Output	2.0±10% mV/V	Safe Temp. Range	-30°C to + 70°C
Zero Balance	±0.06 mV/V	Temp. Compensated	-10°C to + 40°C
Nonlinearity	±0.02% of rated output(2.2-100lb)/±0.05% of rated output(200-500lb)	Input Impedance	1000 ohm
Hysteresis	±0.02% of rated output(2.2-100lb)/±0.05% of rated output(200-500lb)	Output Impedance	1000 ohm
Repeatability	±0.02% of rated output	Insulation Resistance	≥500 M ohm (50V DC)
Creep after 30 minutes	±0.025% of rated output	Rated Excitation	10V DC/AC
Temp. effect on output	±0.01% LOAD/°C	Maximum Excitation	20V DC/AC
Temp. effect on zero	±0.01% FS/°C	Wire Type	4 Conductor, Teflon cable
Wire Length	12 in	Wire Specification	29AWG
Safe Overload	250lb(2.2lb-100lb)/400lb(200lb)/1000lb(500lb)		