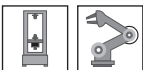
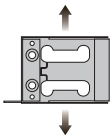


## Belt Buckle

Belt Buckle



### Capacities

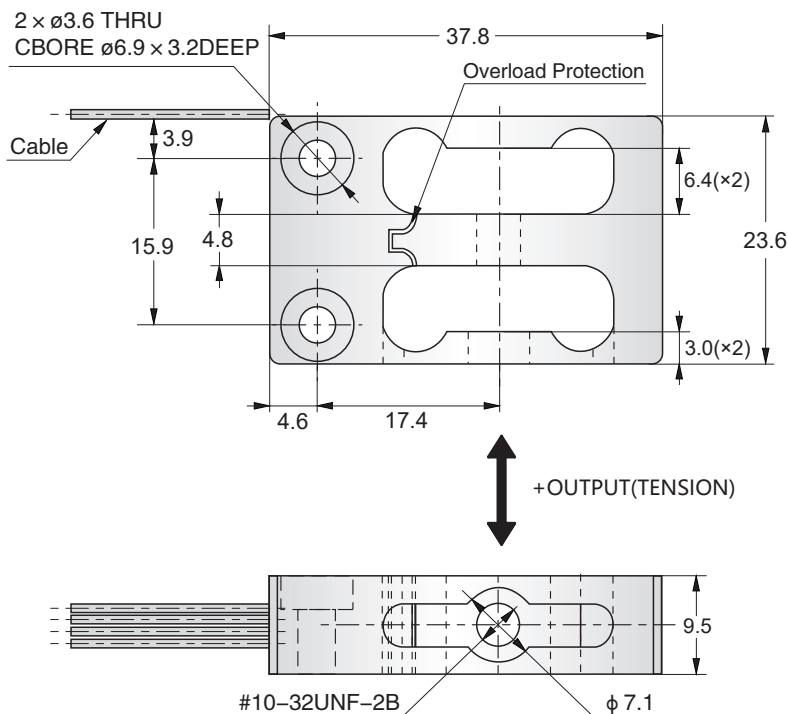
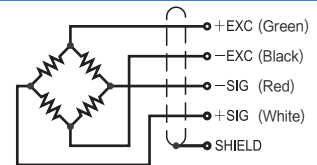
0.25lb, 0.5lb

### Features

- Belt buckle load cell
- Aluminum construction
- Suitable for robotics and force measurements
- Easy to install

### Schematic

- Green: + input
- Black: - input
- White: + output
- Red: - output



Specification			
Rated Output	1.0mV/V	Safe Temp. Range	-30°C to + 70°C
Zero Balance	±0.06mV/V	Temp. Compensated	-10°C to + 40°C
Nonlinearity	±0.2% of rated output	Input Impedance	1000 ohm
Hysteresis	±0.2% of rated output	Output Impedance	1000 ohm
Repeatability	±0.05% of rated output	Insulation Resistance	≥500 M ohm (50V DC)
Creep after 30 minutes	±0.2% of rated output	Rated Excitation	10V DC/AC
Temp. effect on output	±0.01% LOAD/°C	Maximum Excitation	20V DC/AC
Temp. effect on zero	±0.01% FS/°C	Wire Type	4 Conductor, Teflon Cable
Wire Length	6 in	Wire Specification	29AWG
Safe overload	50lb		