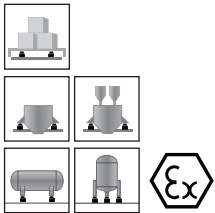
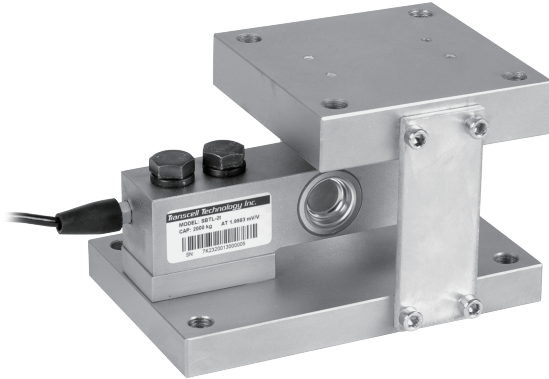
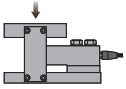


## Weighing Mount



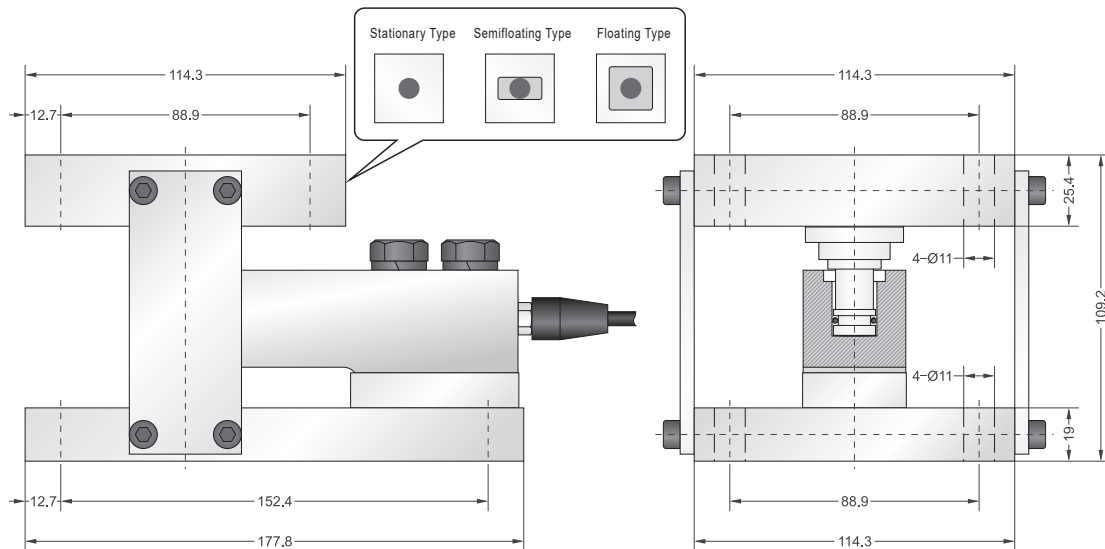
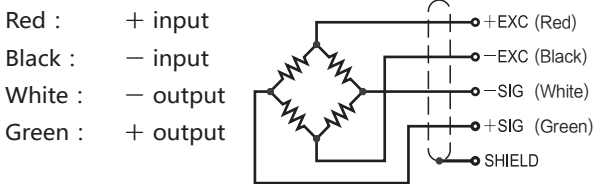
### Capacities

0.5t, 1t, 2t

### Features

- Alloy steel construction throughout
- SBTL (single ended shear beam load cell) installed
- Suitable for floor scales, blending & mixing systems and batching systems, etc.

### Schematic



Specifications			
Rated Output	2.0mV/V $\pm$ 0.1%	Safe Temp. Range	-10°C to + 70°C
Zero Balance	$\pm$ 1% of rated output	Temp. Compensated	-10°C to + 40°C
Creep after 30 minutes	$\pm$ 0.03% of rated output	Safe Overload	150%
Nonlinearity	$\pm$ 0.03% of rated output	Input Impedance	387 ohm $\pm$ 20 ohm
Hysteresis	$\pm$ 0.03% of rated output	Output Impedance	350 ohm $\pm$ 5 ohm
Repeatability	$\pm$ 0.03% of rated output	Insulation Resistance	$\geq$ 5000 M ohm (50V DC)
Temp. effect on output	$\leq$ 0.002% of applied output/°C	Rated Excitation	10V DC/AC
Temp. effect on zero	$\leq$ 0.002% of rated output/°C	Maximum Excitation	15V DC/AC
Wire Length	6m	Wire Material	Red(+ E) Black(- E) White(- S) Green(+ S)