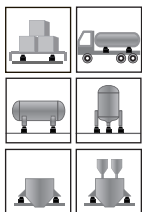
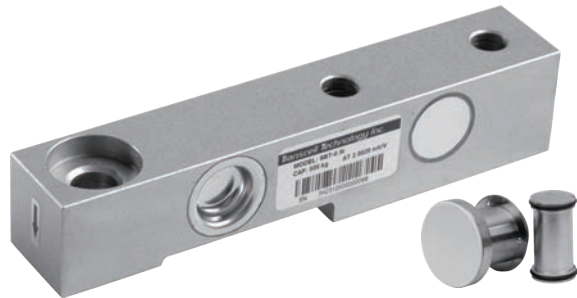


Single Ended Shear Beam



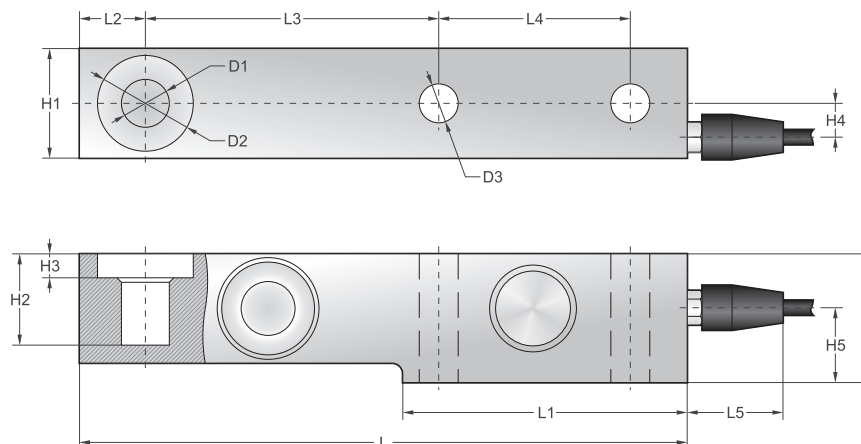
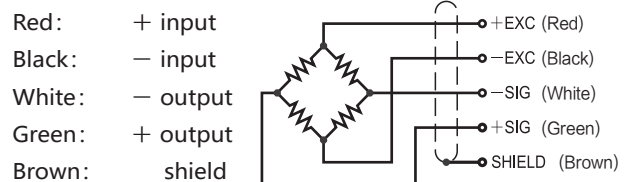
Capacities

500kg, 1000kg, 2000kg, 3000kg, 5000kg

Features

- Single ended shear beam load cell
- Alloy steel construction
- High accuracy
- High stability
- Unique "blind" loading hole
- Easy to install
- Protected against corrosion by nickel-plated treatment
- Suitable for floor scales, blending & mixing systems, belt scales and batching Systems, etc.

Schematic



Capacities		L	L1	L2	L3	L4	L5	H	H1	H2	H3	H4	H5	D1	D2	D3
0.5t	mm	203	95	22	98	64	32	43	36.6	30.5	8	11.3	26.6	Ø16	Ø32	2×Ø13
1t~3t	mm	203	95	22	98	64	32	43	36.6	30.5	8	11.3	24.7	Ø16	Ø32	2×Ø13
5t	mm	235	111	22	124	66	32	52	48	30	12	17	28	Ø22	Ø38	2×Ø21

Specifications			
Rated Output	2.0mV/V ±0.1%	Safe Temp. Range	-10°C to + 70°C
Zero Balance	±1% of rated output	Temp. Compensated	-10°C to + 40°C
Creep after 30 minutes	±0.03% of rated output	Safe Overload	150%
Nonlinearity	±0.03% of rated output	Input Impedance	387 ohm ± 20 ohm
Hysteresis	±0.03% of rated output	Output Impedance	350 ohm ± 5 ohm
Repeatability	±0.03% of rated output	Insulation Resistance	≥5000 M ohm (50V DC)
Temp. effect on output	≤0.002% of applied output/°C	Rated Excitation	10V DC/AC
Temp. effect on zero	≤0.002% of rated output/°C	Maximum Excitation	15V DC/AC
Wire Length	6m	Wire Material	Red(+E) Black(-E) White(-S) Green(+S)

Single Ended Shear Beam