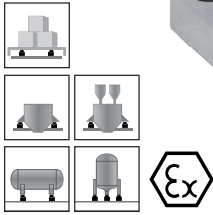
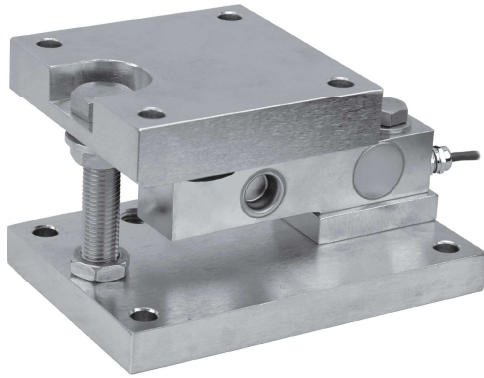
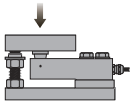


Weighing Mount



Capacities

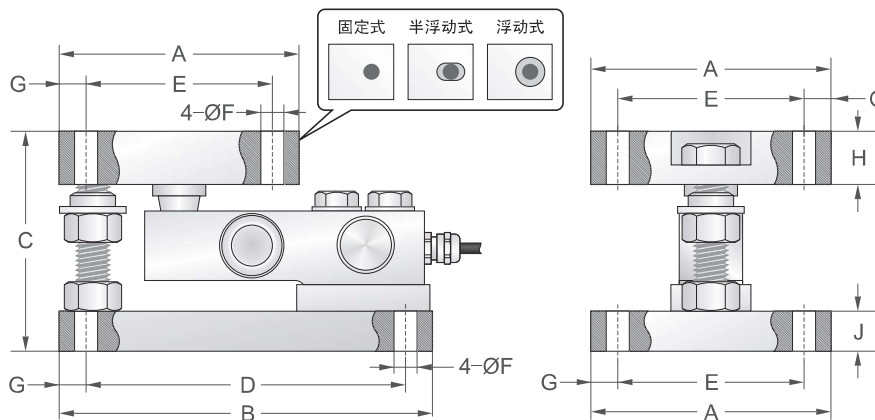
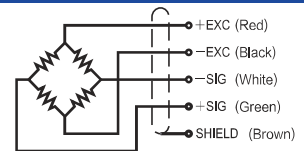
250kg, 500kg, 1000kg, 2000kg, 5000kg, 10000kg, 13500kg, 20000kg

Features

- Stainless steel
- Mounts to floor or structural support directly
- Support bolt to avoid overturn
- SBSZ (single ended shear beam stainless steel load cell) installed
- Suitable for floor scales, blending & mixing systems and batching systems, etc.

Schematic

Red : + input
 Black : - input
 White : - output
 Green : + output
 Brown : shield



Capacities		A	B	C	D	E	F	G	H	J
0.25t~2t	mm	114.3	177.8	104.8	152.4	88.9	11	12.7	25.4	19
5t	mm	152.4	235	136.5	184.2	101.6	17.5	25.4	31.8	25.4
10t/13.5t	mm	203.2	355.6	190.5	304.8	152.4	20.6	25.4	44.5	44.5
20t	mm	228.6	406.4	228.6	342.9	165.1	28.5	31.8	50.8	50.8

Installation

