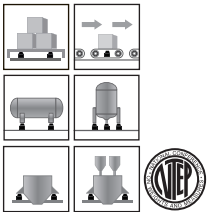


Single Ended Shear Beam



Capacities

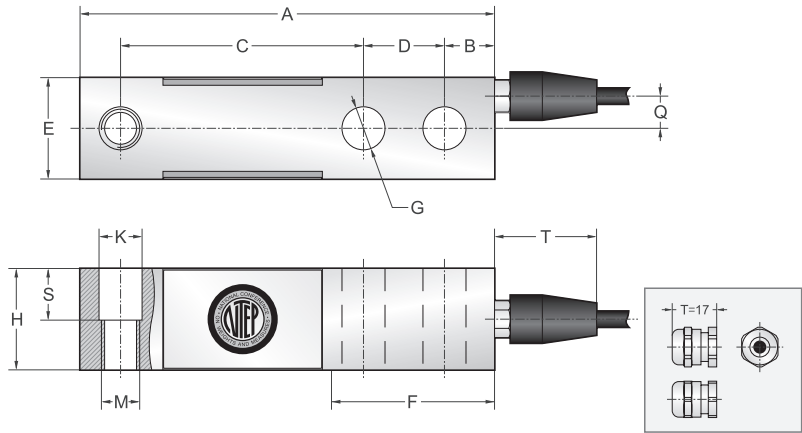
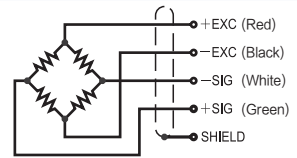
250lb, 250kg, 500kg, 1000kg, 1500kg, 2000kg, 2500kg, 5000kg, 7500kg, 10000kg

Features

- Single ended shear beam load cell
- Alloy steel construction
- High accuracy
- High stability
- NTEP approved
- Easy to install
- Protected against corrosion by nickel-plated treatment
- Suitable for floor scales, blending & mixing systems, belt scales and batching systems, etc.

Schematic

Red: + input
 Black: - input
 White: - output
 Green: + output



Capacities		A	B	C	D	E	F	G	H	M	K	S	T	Q
250lb	mm	130	15.7	76.2	25.4	31.8	57	2×Ø13.5	31.8	1/2"-20 UNF	Ø13.5	16.2	32	10.1
250kg~2.5ts	mm	130	15.7	76.2	25.4	31.8	57	2×Ø13.5	31.8	M12×1.75	Ø13.5	16.2	32	10.1
2.5t~5t	mm	171.4	19	95.2	38.1	37.4	76	2×Ø19.8	37.4	M18×1.5	Ø19.8	17.8	32	13
7.5t~10t	mm	222.2	25.4	120.6	50.8	50	102	2×Ø26.2	50	M24×2	Ø26.2	25	17	17

Specifications

Rated Output	2.0mV/V ±0.1% or 3.0mV/V ±0.1%	Safe Temp. Range	-10°C to + 70°C
Zero Balance	±1% of rated output	Temp. Compensated	-10°C to + 40°C
Creep after 30 minutes	±0.03% of rated output	Safe Overload	150%
Nonlinearity	±0.03% of rated output	Input Impedance	387 ohm ± 20 ohm
Hysteresis	±0.03% of rated output	Output Impedance	350 ohm ± 5 ohm
Repeatability	±0.03% of rated output	Insulation Resistance	≥5000 M ohm (50V DC)
Temp. effect on output	≤0.002% of applied output/°C	Rated Excitation	10V DC/AC
Temp. effect on zero	≤0.002% of rated output/°C	Maximum Excitation	15V DC/AC
Wire Length	6m	Wire Material	Red(+E) Black(-E) White(-S) Green(+S)