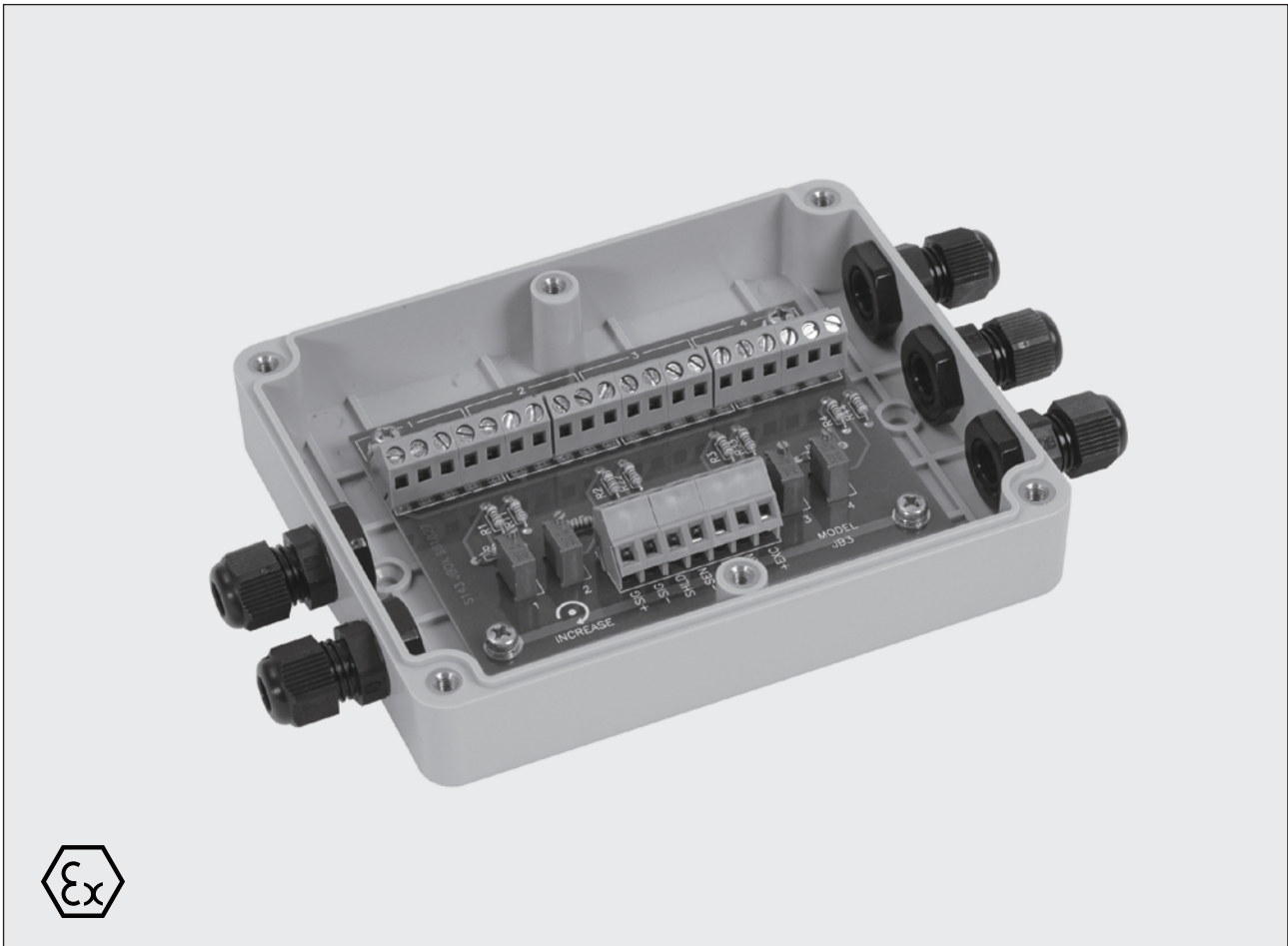


J-BOX Junction Box



Description 产品描述

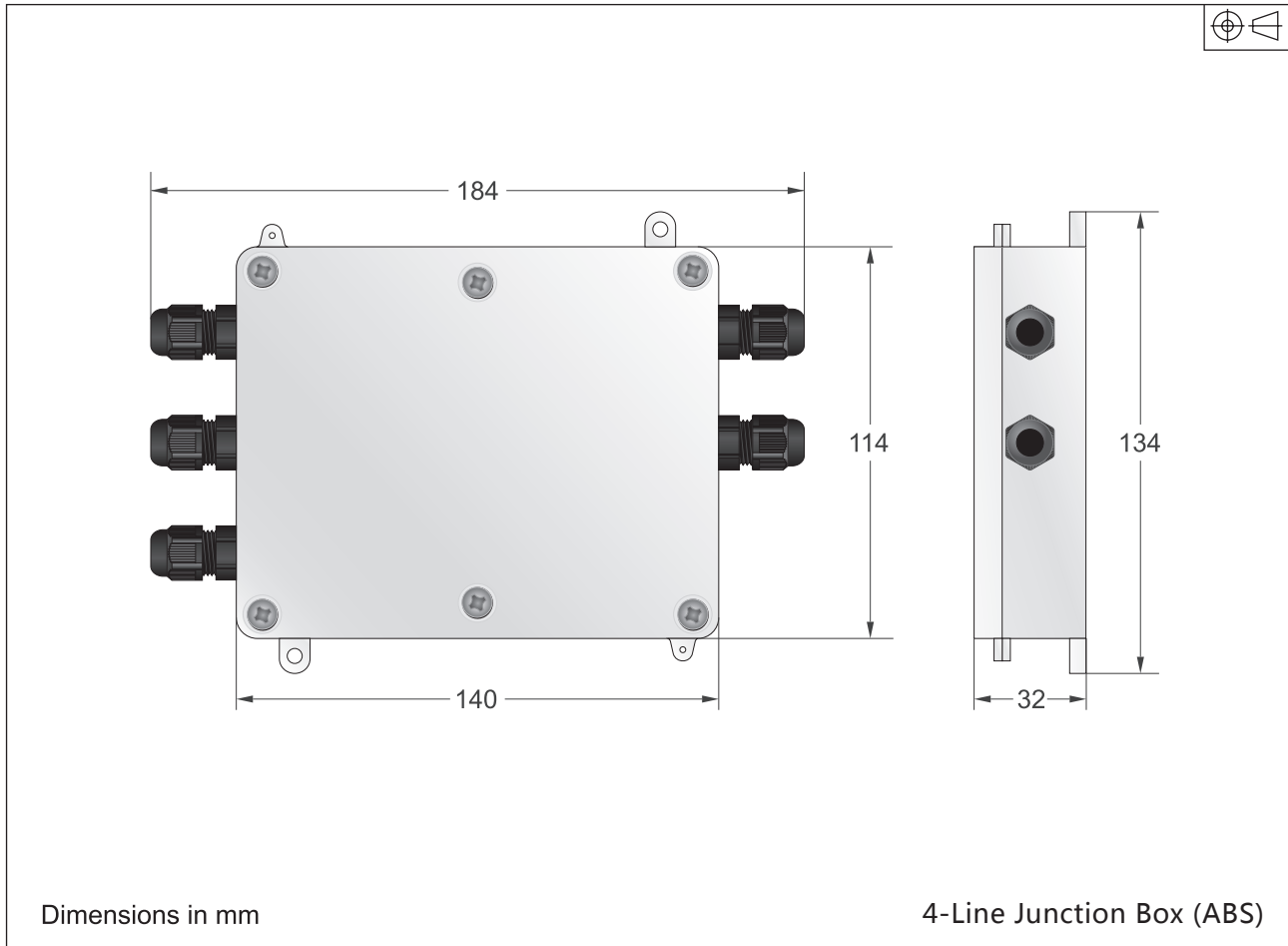
Our JB-FI is a load cell summing card housed in an ABS enclosure. It has four 5-position terminal strips for load cell input and one 7-position terminal strip with internally jumped sense terminals for output to the instrument. The board will sum 2 to 4 load cells and can be daisy-chained to sum up to 8 load cells using 2 summing cards and enclosures. Trimming of signal output is accomplished with four multi-turn trim pots. A stainless steel enclosure version (JB-SS) is also available.

JB-FI传感器接线盒采用ABS外壳。盒内有4个5线制的传感器接入端, 1个7线的信号输出端。可以接驳2至4个传感器不等。同时在接线盒内增加一块线路板, 可以将原来的4路接线盒扩展至8路接线盒。接线盒的输出信号为所有接入传感器的集成信号。另有不锈钢外壳版本可选。

Option 可供选择

- Stainless Steel /ABS Plastics
- 4-line wiring / 6-line wiring /8-line wiring
- 不锈钢/ABS材质
- 4线接线盒/6线接线盒/8线接线盒

Dimensions 尺寸



Schematic 接线方式

