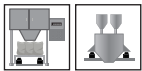


Single Point



Capacities

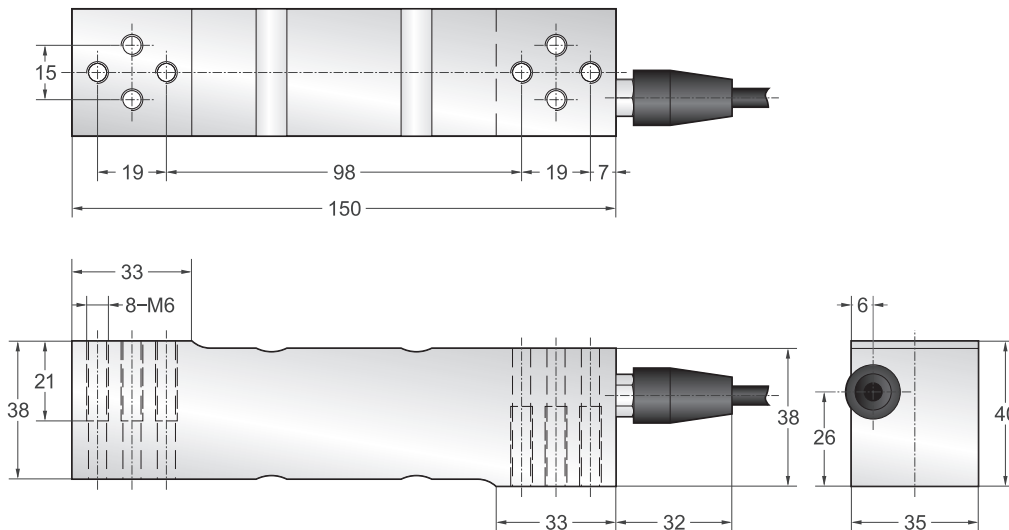
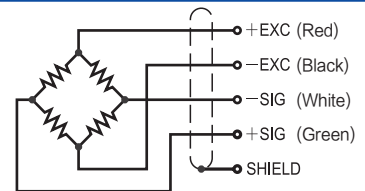
30kg, 50kg, 60kg, 100kg, 150kg, 200kg, 250kg, 300kg, 350kg

Features

- Single point load cell
- Easy to install
- Stainless steel construction
- Suitable for package systems and batching systems, etc.
- High accuracy
- High stability

Schematic

- Red: + input
- Black: - input
- White: - output
- Green: + output



Specifications

Rated Output	2.0mV/V \pm 0.1%	Safe Temp. Range	-10°C to + 70°C
Zero Balance	\pm 3% of rated output	Temp. Compensated	-10°C to + 40°C
Creep after 30 minutes	\pm 0.03% of rated output	Safe Overload	150%
Nonlinearity	\pm 0.03% of rated output	Input Impedance	387 ohm \pm 20 ohm
Hysteresis	\pm 0.03% of rated output	Output Impedance	350 ohm \pm 5 ohm
Repeatability	\pm 0.03% of rated output	Insulation Resistance	\geq 5000 M ohm (50V DC)
Temp. effect on output	\leq 0.002% of applied output/°C	Rated Excitation	10V DC/AC
Temp. effect on zero	\leq 0.002% of rated output/°C	Maximum Excitation	15V DC/AC
Wire Length	6m/10m	Wire Material	Red(+E) Black(-E) White(-S) Green(+S)