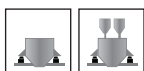


Column Type



Capacities

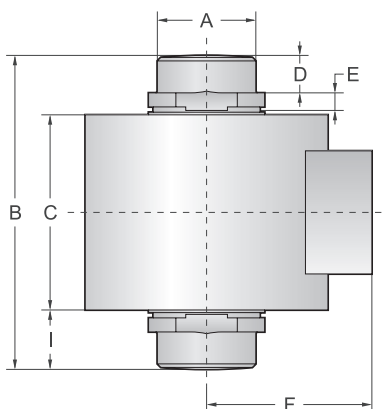
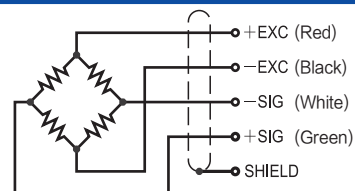
10t, 20t

Features

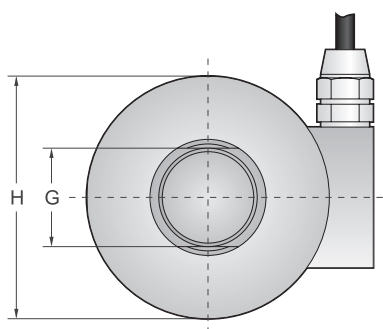
- Multi-column load cell construction
- Total stainless steel
- Hermetically sealed
- High accuracy
- High stability
- Easy to install
- Suitable for testing machine and big bin & hopper scales, etc.

Schematic

- Red: + input
- Black: - input
- White: - output
- Green: + output



PROFILE



TOP

Capacities		A	B	C	D	E	F	G	H	I
10t/20t	mm	Ø28	89.3	55.5	10.65	5	47	28	Ø69	16.9

Specifications

Rated Output	2.0mV/V±10%	Safe Temp. Range	-10°C to + 70°C
Zero Balance	±1.0% of rated output	Temp. Compensated	-10°C to + 40°C
Creep after 30 minutes	±0.03% of rated output	Safe Overload	150%
Nonlinearity	±0.03% of rated output	Input Impedance	410 ohm ± 20 ohm
Hysteresis	±0.03% of rated output	Output Impedance	350 ohm ± 5 ohm
Repeatability	±0.03% of rated output	Insulation Resistance	≥5000 M ohm (50V DC)
Temp. effect on output	≤0.002% of applied output/°C	Rated Excitation	10V DC/AC
Temp. effect on zero	≤0.002% of rated output/°C	Maximum Excitation	15V DC/AC
Wire Length	6m	Wire Material	Red(+ E) Black(- E) White(- S) Green(+ S)