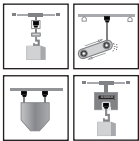
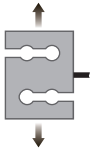


## “S” Type



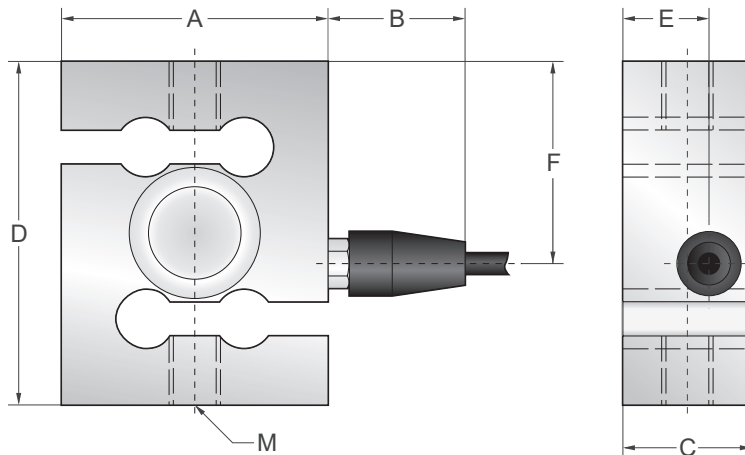
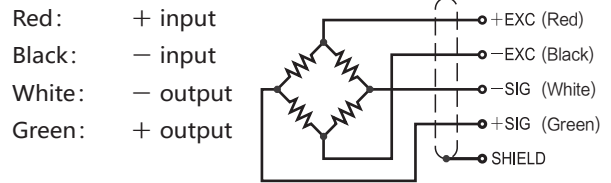
### Capacities

100kg, 200kg, 250kg, 300kg, 500kg, 750kg, 1000kg

### Features

- S-Type load cell
- Easy to install, stable & reliable
- Explosion-proof Certified
- Suitable for tension measurement, batching systems, blending & mixing systems, belt scales, etc.
- Stainless steel construction
- Hermetically sealed (except for 100kg)

### Schematic



Capacities		A	B	C	D	E	F	M
100kg	mm	62.2	32	30.1	80.2	20.1	47.2	M10X1.5
200kg~1000kg	mm	62.2	32	30.1	80.2	20.1	47.2	M12×1.75

### Specifications

Rated Output	2.0mV/V ±0.1%	Safe Temp. Range	-10°C to + 70°C
Zero Balance	±1% of rated output	Temp. Compensated	-10°C to + 40°C
Creep after 30 minutes	±0.03% of rated output	Safe Overload	150%
Nonlinearity	±0.03% of rated output	Input Impedance	387 ohm ± 20 ohm
Hysteresis	±0.03% of rated output	Output Impedance	350 ohm ± 5 ohm
Repeatability	±0.03% of rated output	Insulation Resistance	≥5000 M ohm (50V DC)
Temp. effect on output	≤0.002% of applied output/°C	Rated Excitation	10V DC/AC
Temp. effect on zero	≤0.002% of rated output/°C	Maximum Excitation	15V DC/AC
Wire Length	6m	Wire Material	Red(+ E) Black(- E) White(- S) Green(+ S)