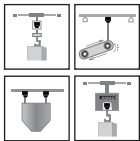
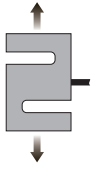


## "S" Type



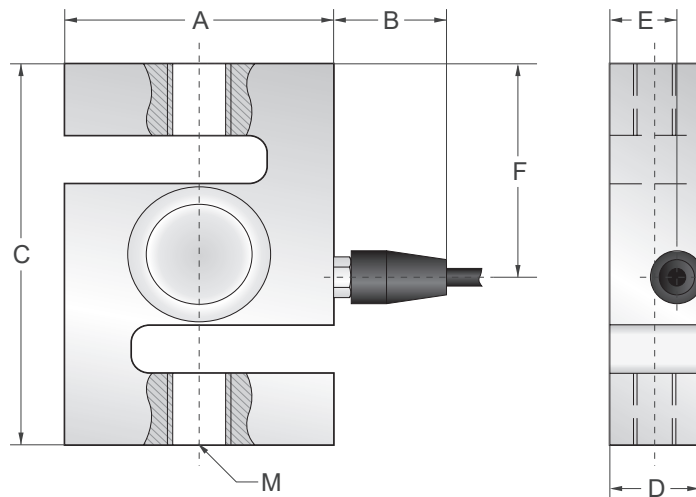
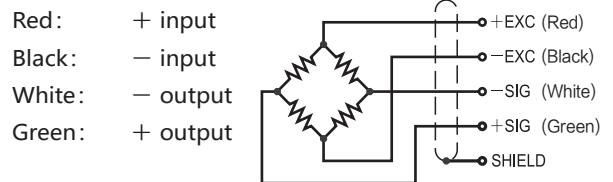
### Capacities

1500kg, 2000kg, 2500kg, 3000kg, 5000kg

### Features

- S-Type load cell
- Easy to install, stable & reliable
- Explosion-proof Certified
- Suitable for tension measurement, batching systems, blending & mixing systems, belt scales, etc.
- Stainless steel construction
- Hermetically sealed

### Schematic



Capacities		A	B	C	D	E	F	M
1500kg~5000kg	mm	76.2	32	108	25.4	19	60.5	M18X1.5

Specifications			
Rated Output	2.0mV/V ±0.1%	Safe Temp. Range	-10°C to + 70°C
Zero Balance	±1% of rated output	Temp. Compensated	-10°C to + 40°C
Creep after 30 minutes	±0.03% of rated output	Safe Overload	150%
Nonlinearity	±0.03% of rated output	Input Impedance	387 ohm ± 20 ohm
Hysteresis	±0.03% of rated output	Output Impedance	350 ohm ± 5 ohm
Repeatability	±0.03% of rated output	Insulation Resistance	≥5000 M ohm (50V DC)
Temp. effect on output	≤0.002% of applied output/°C	Rated Excitation	10V DC/AC
Temp. effect on zero	≤0.002% of rated output/°C	Maximum Excitation	15V DC/AC
Wire Length	6m	Wire Material	Red(+ E) Black(- E) White(- S) Green(+ S)