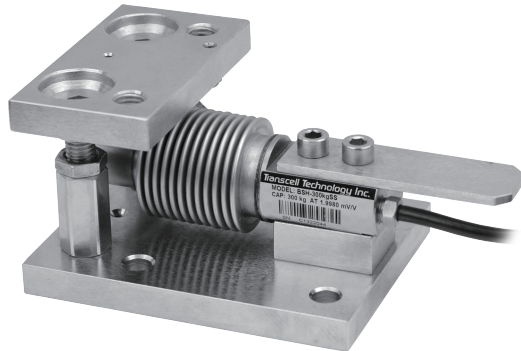
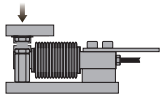


## Weighing Mount



### Capacities

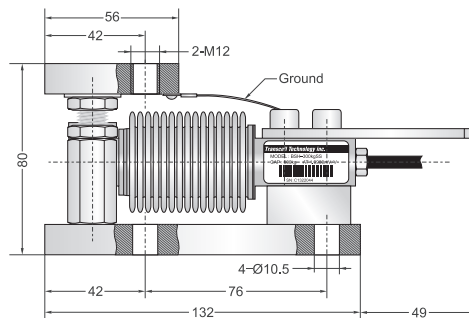
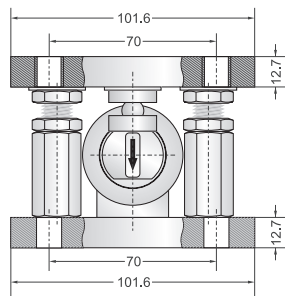
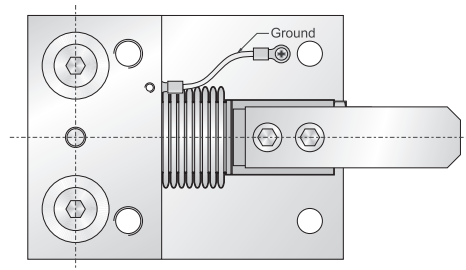
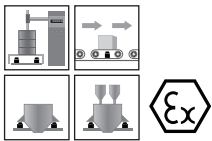
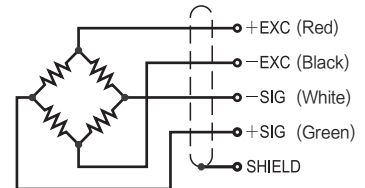
10kg, 20kg, 30kg, 40kg, 50kg, 75kg, 100kg, 150kg, 200kg, 250kg, 300kg, 500kg

### Features

- Alloy steel construction / stainless steel construction (option)
- BSH (single ended shear beam stainless steel load cell) installed
- Use in tough industrial environment
- Suitable for tank-packing scales, belt scales and batching systems, etc.

### Schematic

Red : + input  
 Black : - input  
 White : - output  
 Green : + output



### Specifications

Rated Output	2.0mV/V ±0.1%	Safe Temp. Range	-10°C to + 70°C
Zero Balance	±1% of rated output	Temp. Compensated	-10°C to + 40°C
Creep after 30 minutes	±0.03% of rated output	Safe Overload	150%
Nonlinearity	±0.03% of rated output	Input Impedance	387 ohm ± 20 ohm
Hysteresis	±0.03% of rated output	Output Impedance	350 ohm ± 5 ohm
Repeatability	±0.03% of rated output	Insulation Resistance	≥5000 M ohm (50V DC)
Temp. effect on output	≤0.002% of applied output/°C	Rated Excitation	10V DC/AC
Temp. effect on zero	≤0.002% of rated output/°C	Maximum Excitation	15V DC/AC
Wire Length	3m	Wire Material	Red(+ E) Black(- E) White(- S) Green(+ S)