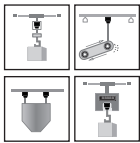
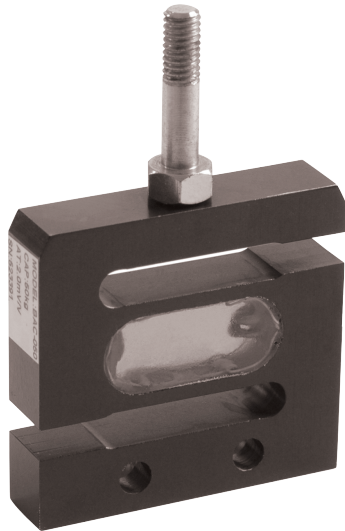
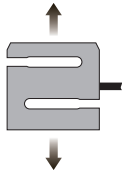


"S" Type



Capacities

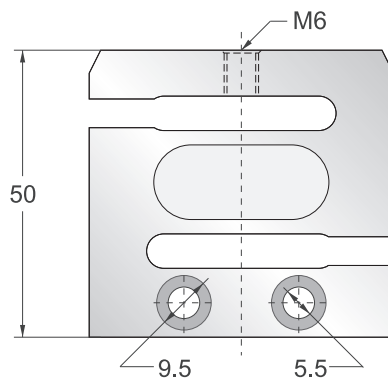
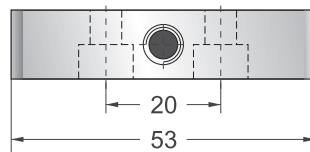
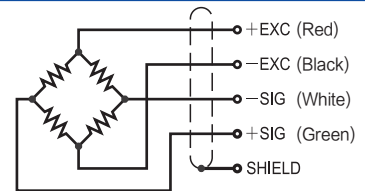
5kg, 7.5kg, 10kg, 20kg, 30kg, 50kg, 100kg

Features

- S-Type load cell
- Aluminum construction
- Easy to install, stable & reliable
- Suitable for tension measurement, batching systems, industrial scales and package systems, etc.

Schematic

- Red : + input
- Black : - input
- White : - output
- Green : + output



Specifications

Rated Output	2.0mV/V ±5%	Safe Temp. Range	-10°C to + 70°C
Zero Balance	±3% of rated output	Temp. Compensated	-10°C to + 40°C
Creep after 30 minutes	±0.03% of rated output	Safe Overload	150%
Nonlinearity	±0.03% of rated output	Input Impedance	410 ohm ± 5 ohm
Hysteresis	±0.03% of rated output	Output Impedance	350 ohm ± 3 ohm
Repeatability	±0.03% of rated output	Insulation Resistance	≥5000 M ohm (50V DC)
Temp. effect on output	≤0.002% of applied output/°C	Rated Excitation	10V DC/AC
Temp. effect on zero	≤0.002% of rated output/°C	Maximum Excitation	15V DC/AC
Wire Length	17cm	Wire Material	Red(+E) Black(-E) White(-S) Green(+S)