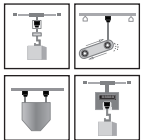
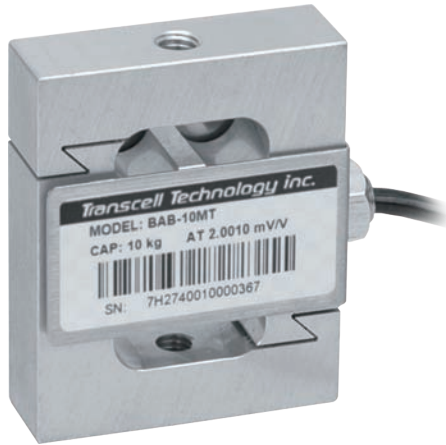
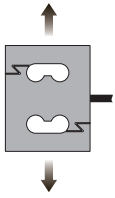


"S" Type



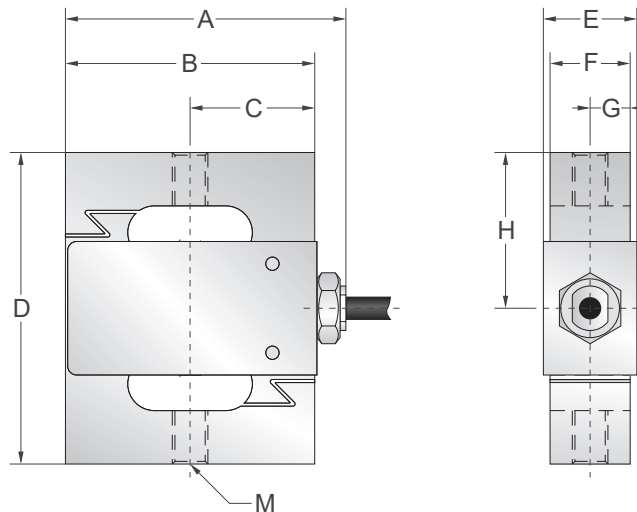
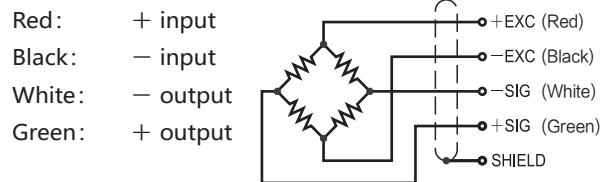
Capacities

5kg, 10kg, 20kg, 30kg, 50kg

Features

- S-Type load cell
- Aluminum construction
- Easy to install, stable & reliable
- Suitable for tension measurement, batching systems, industrial scales and package systems, etc.

Schematic



Capacities	mm	A	B	C	D	E	F	G	H	M
5kg~50kg	mm	64	56	28	70	21	18	9	35	M8×1.25

Specifications			
Rated Output	2.0mV/V ±1%	Safe Temp. Range	-10°C to + 70°C
Zero Balance	±3% of rated output	Temp. Compensated	-10°C to + 40°C
Creep after 30 minutes	±0.03% of rated output	Safe Overload	150%
Nonlinearity	±0.03% of rated output	Input Impedance	410 ohm ± 5 ohm
Hysteresis	±0.03% of rated output	Output Impedance	350 ohm ± 3 ohm
Repeatability	±0.03% of rated output	Insulation Resistance	≥5000 M ohm (50V DC)
Temp. effect on output	≤0.002% of applied output/°C	Rated Excitation	10V DC/AC
Temp. effect on zero	≤0.002% of rated output/°C	Maximum Excitation	15V DC/AC
Wire Length	2.75m	Wire Material	Red(+E) Black(-E) White(-S) Green(+S)